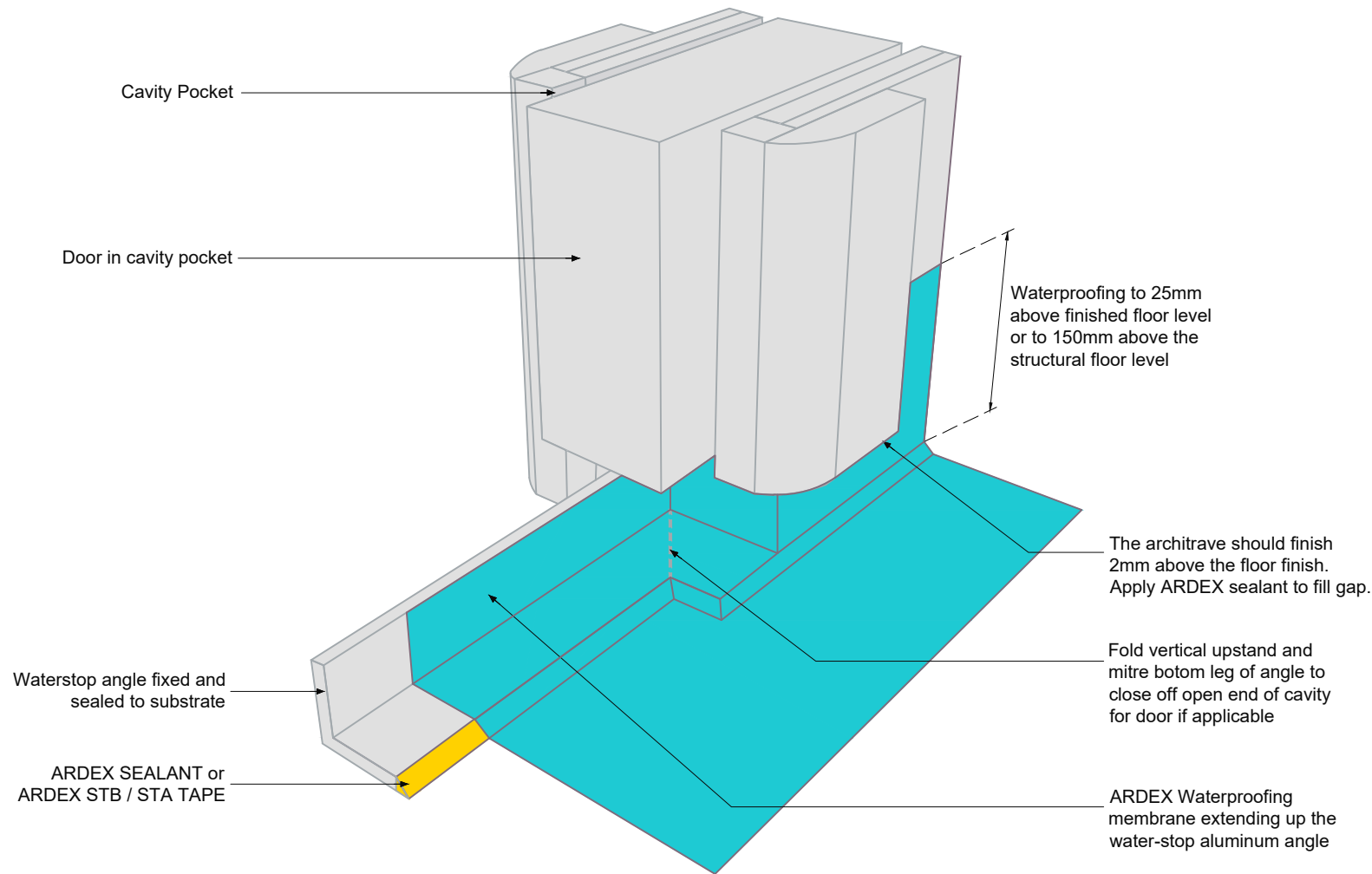


**3D - ARDEX  
WATERPROOFING AT DOOR  
OPENING CAVITY SLIDER**

**NOTES**

When installing ARDEX WPM 750 onto waterstop angle, the angle must be solvent wiped to remove any extrusion oils prior to ARDEX CA 750 Adhesive application.



**ARDEX AUSTRALIA**  
www.ardexaustralia.com

The technical details, recommendations & other information contained in this drawing is given in good faith & represents the best of our knowledge and experience at the time of design. It is your responsibility to ensure that our products are used correctly in accordance with any applicable Australian Standard, our instructions & recommendations are only for the uses they are intended. We also reserve the right to update information without prior notice to reflect our ongoing research and development program. Country specific recommendations, depending on local standards, codes of practice, building regulations and industry guidelines may effect specific installation recommendations. The supply of our products and services are also subject to certain terms, warranties & exclusions which are available to you on request

FILE NAME	3D - ARDEX WATERPROOFING AT DOOR OPENING CAVITY SLIDER
DRAWN	08/10/2024 by AD
CHECKED	ADAM MCGLONE
SIZE	A4

SCALE NTS  
DRAWING D203