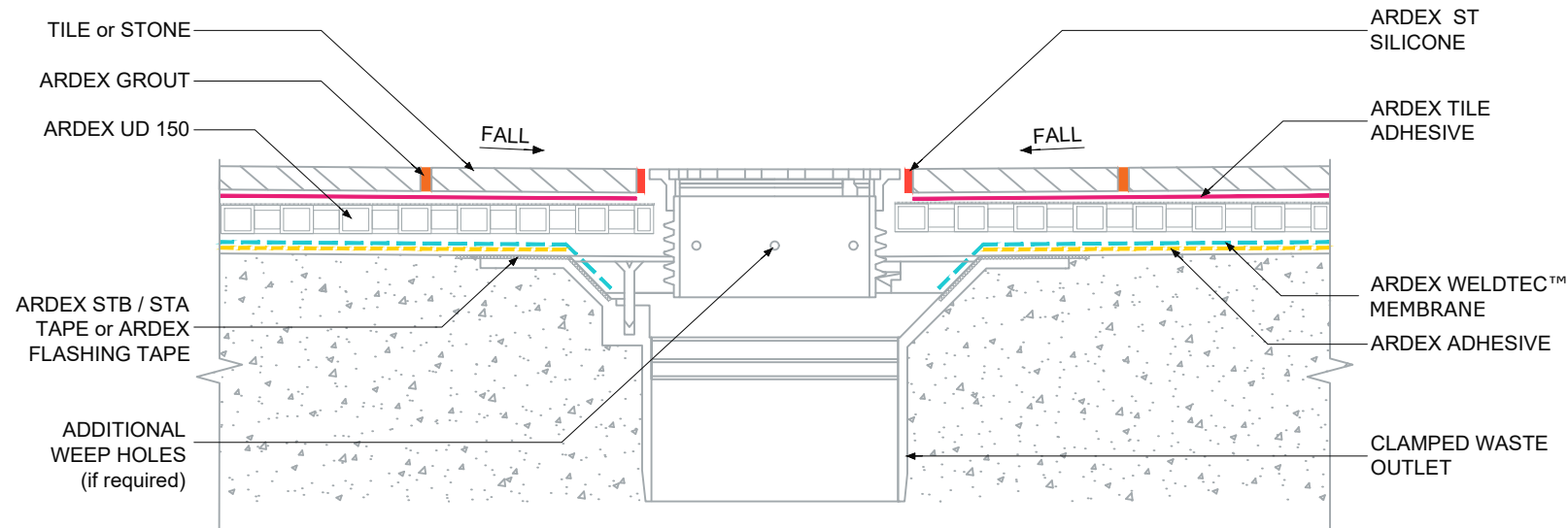


**CLAMP DOWN WASTE
OUTLET DETAIL - ARDEX
UD 150 & ARDEX
WELDTEC™ MEMBRANE**

NOTES

Suitable ARDEX ADHESIVE include:

- ARDEX CA 750 Adhesive, for internal use only.
- ARDEX WA 98 Adhesive, for external use only.



The technical details, recommendations & other information contained in this drawing is given in good faith & represents the best of our knowledge and experience at the time of design. It is your responsibility to ensure that our products are used used correctly in accordance with any applicable Australian Standard, our instructions & recommendations are only for the uses they are intended. We also reserve the right to update information without prior notice to reflect our ongoing research and development program. Country specific recommendations, depending on local standards, codes of practice, building regulations and industry guidelines may effect specific installation recommendations. The supply of our products and services are also subject to certain terms, warranties & exclusions which are available to you on request

FILE NAME	CLAMP DOWN WASTE OUTLET DETAIL - ARDEX UD 150 & ARDEX WELDTEC™ MEMBRANE
DRAWN	22/10/2024 by AD
CHECKED	ADAM MCGLONE
SIZE	A4

ARDEX AUSTRALIA
www.ardexaustralia.com

SCALE NTS

DRAWING D158