

# MANUAL FORCED ACTION MIXERS

**CE**  
GB-04.12.18



**MODEL 40L**  
Mixing capacity:  
40 litres



**MODEL 80L**  
Mixing capacity:  
80 litres



**MODEL 100L**  
Mixing capacity:  
100 litres



**MODEL 120L**  
Mixing capacity:  
120 litres

THE RIGHT MODEL AND  
SIZE DO MATTER.  
FOR ANY JOB BIG OR SMALL  
SOROTO OFFERS THE RIGHT  
ONE.

## TABLE OF CONTENTS

SoRoTo 40L, 80L, 100L, 120L.....p.	3
Application.....p.	3
Before use.....p.	3
<b>Before connecting the power supply</b> .....p.	3
Operating the SoRoTo forced action mixer ...p.	3
Cleaning / maintenance.....p.	4
Transport.....p.	4
Safety.....p.	4
Technical data.....p.	6
Contact details.....p.	6
Special features/spare parts.....p.	7
Spare part list - 40 L.....p.	8
Spare part list - 80 L.....p.	10
Spare part list - 100 L.....p.	12
Spare part list - 120 L.....p.	14
SoRoTo 200L, 300L.....p.	16
Application.....p.	16
Before use.....p.	16
<b>Before connecting the power supply</b> .....p.	16
Operating the SoRoTo forced action mixer ...p.	16
Adjusting the phase turner.....p.	17
Cleaning / maintenance.....p.	17
Transport.....p.	18
Safety.....p.	19
Technical data.....p.	19
Contact details.....p.	19
Spare part list - 200 L.....p.	20
Spare part list - 300 L.....p.	22
EU Declaration of Conformity.....p.	24

## MANUAL APPLIES TO

SoRoTo 40L, 80L, 100L, 120L

### APPLICATION

The SoRoTo Forced Action Mixers are ideal for mixing all kinds of materials used in the building industry, as well as for tasks where high demands are imposed on the quality of the mix.

When mixing materials containing aggregates, we recommend using the SoRoTo Mixer system with rubber blades. (NOTE: The SoRoTo Forced Action Mixer 40L is not suited for mixing materials containing aggregates).

When using steel blades to mix materials containing aggregates, the mixer arms may work their way upwards and eventually stop turning.

### BEFORE USE

Before starting the mixer, the telescopic legs must be positioned for the right height for draining into a bucket or wheelbarrow. The easiest way for adjusting the legs is to lay down the mixer, so it rests on all four wheels. The legs are released and locked with the fitted lock splits/bolts.

### BEFORE CONNECTING THE POWER SUPPLY

Before the power is connected, the mixer arms must be set in place, and the lid must be closed. The safety grid in front of the mixer gate must be attached at all times.

For your safety, please always follow the instructions listed above before use.

### OPERATING THE SOROTO FORCED ACTION MIXER

Close the lid and lock it into place using the rubber strap. Start the mixer by pressing the green START button on the protective motor switch. Pour the required material into the drum and add liquid.

The protective motor switch has a zero voltage releaser. In case of power failure, the mixer must be restarted. For safety reasons, the mixer will not start if the lid is open.

# THE ORIGINAL AND SOME EXTRA

## DISTINCTIVE SOROTO MIXER ARMS

are removed without tools facilitates cleaning and replacement. Also available with rubber blades for mixes containing aggregates

## SMALL LOADING WHEELS

and the use of customized lowered nuts mean you can easily load the machine onto the truck. Even the biggest machines are easy to handle

## GEAR MOTOR

selected under the motto: maximum power – minimum load. A powerful motor which, on the other hand, has the lowest possible ampere consumption, so the strain on the power grid and the environment is minimized

## WHEELS

the mixer is easily moved from one place to another on the construction site without any use of a vehicle

## OPTIONAL TURBO ARM

Can be mounted on the 300L mixer (e.g. for masonry mortar)

## OPTIONAL DUST CONTROLLER

helps avoiding dangerous dust discomfort - without losing the opportunity to keep an eye on the mixture, as you do with a closed forced action mixer

## RUBBER STRAP

The machines are equipped with a rubber strap that ensure that the grid lid does not open during use or transport

## BRACKET

is mounted on every machine for holding a brick trowel

## SAFETY GRID

in front of the discharge chute, together with the safety switch, ensure that you do not risk harming yourself in the working machine

## BUCKET STAND

All 240V machines are equipped with a robust bucket stand for a masonry bucket

## SPARE POWER OUTLET

Models 200L and 300L are equipped with a spare power outlet for work lighting, industrial vacuumcleaner, belt conveyor or the like

## TELESCOPIC LEGS

ensure the right working height



## NOTE

Never put your hand or any object into the machine when the power is connected.

When the material has reached the desired consistency and the mixing motion is finished, the mixing drum is emptied by opening the mixer gate. The drum should be emptied right after mixing. Please observe that the material may set in the mixing drum, if left too long.



## NOTE

The safety grid should be in front of the output gate at all times. If the machine is jammed, e.g. by larger stones, ensure that the plug is disconnected from the protective motor switch, before removing the obstruction. Do not put your fingers or any object through the mixer gate.

## CLEANING / MAINTENANCE

Before cleaning the mixer, the plug must be removed from the socket. Open the lid and lift the mixing blades off the axle. The mixer arms are easily removed without using tools.

Firstly wash the mixer arms and the entire mixing drum using water. When cleaning has ended, place the mixer arms onto the axle and close the lid.

## TRANSPORT

During transport of the SoRoTo Forced Action Mixer it is recommended that the mixer is placed on the four wheels, and the lid is closed and locked with the rubber strap.

## SAFETY

When using an extension cable, please observe the following,

- Never use a longer cable than max 10 m.
- Always use a cable with a minimum dimension of 1 mm<sup>2</sup>.
- Never use the cable when it is rolled up. Always roll it out completely.

When mixing materials that emit unpleasant or dangerous vapours and/or dust, a dust controller is recommended.





**TECHNICAL DATA**

**Model 40L/30**

Motor: 230V/110V - 0.75 kW - 50 Hz  
 W/L/H: 60\*60\*85 cm  
 Mixing capacity: 40 L.  
 Weight: 64 kg (empty).  
 LAeq < 75dB(A) with mortar.  
 Dust controller is not an option

**Model 80L/30**

Motor: 240V/110V - 1.1 kW - 50 Hz  
 W/L/H: 60\*75\*106 cm  
 Mixing capacity: 80 L.  
 Weight: 88 kg (empty).  
 LAeq < 75dB(A) with mortar.  
 Prepared for mounting of dust controller

**Model 100L/30**

Motor: 240V/110V - 1.1 kW - 50 Hz  
 W/L/H: 68\*80\*106 cm  
 Mixing capacity: 100 L.  
 Weight: 98 kg (empty).  
 LAeq < 75dB(A) with mortar.  
 Prepared for mounting of dust controller

**Model 120L/30**

Motor: 240V/110V - 1.1 kW - 50 Hz  
 W/L/H: 72\*95\*118 cm  
 Mixing capacity: 120 L.  
 Weight: 105 kg (empty).  
 LAeq < 75dB(A) with mortar.  
 Prepared for mounting of dust controller

**TECHNICAL SUPPORT / WAREHOUSE**

Fabriksparken 11  
 DK-2600 Glostrup  
 Tel. +45 3672 7800  
 teknik@soroto.dk

**SALES / ADMIN**

Fabriksparken 13  
 DK-2600 Glostrup  
 Tel. +45 3672 7500  
 soroto@soroto.dk

**INCLUDING**

Mixer arms with steel blades and cross joint



**INCLUDING**

Small loading wheels for easy on-/unloading



**INCLUDING**

Bracket for holding a brick trowel



**INCLUDING**

Telescopic legs for setting the right working height



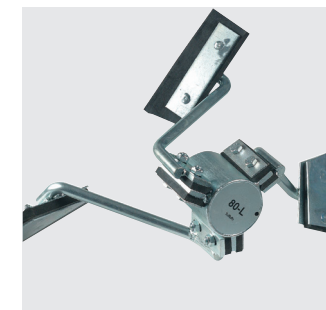
**OPTIONAL**

Dust controller for better OSH\*. Available for 80-300 L mixers



**OPTIONAL**

Rubber blades for mixes containing aggregates

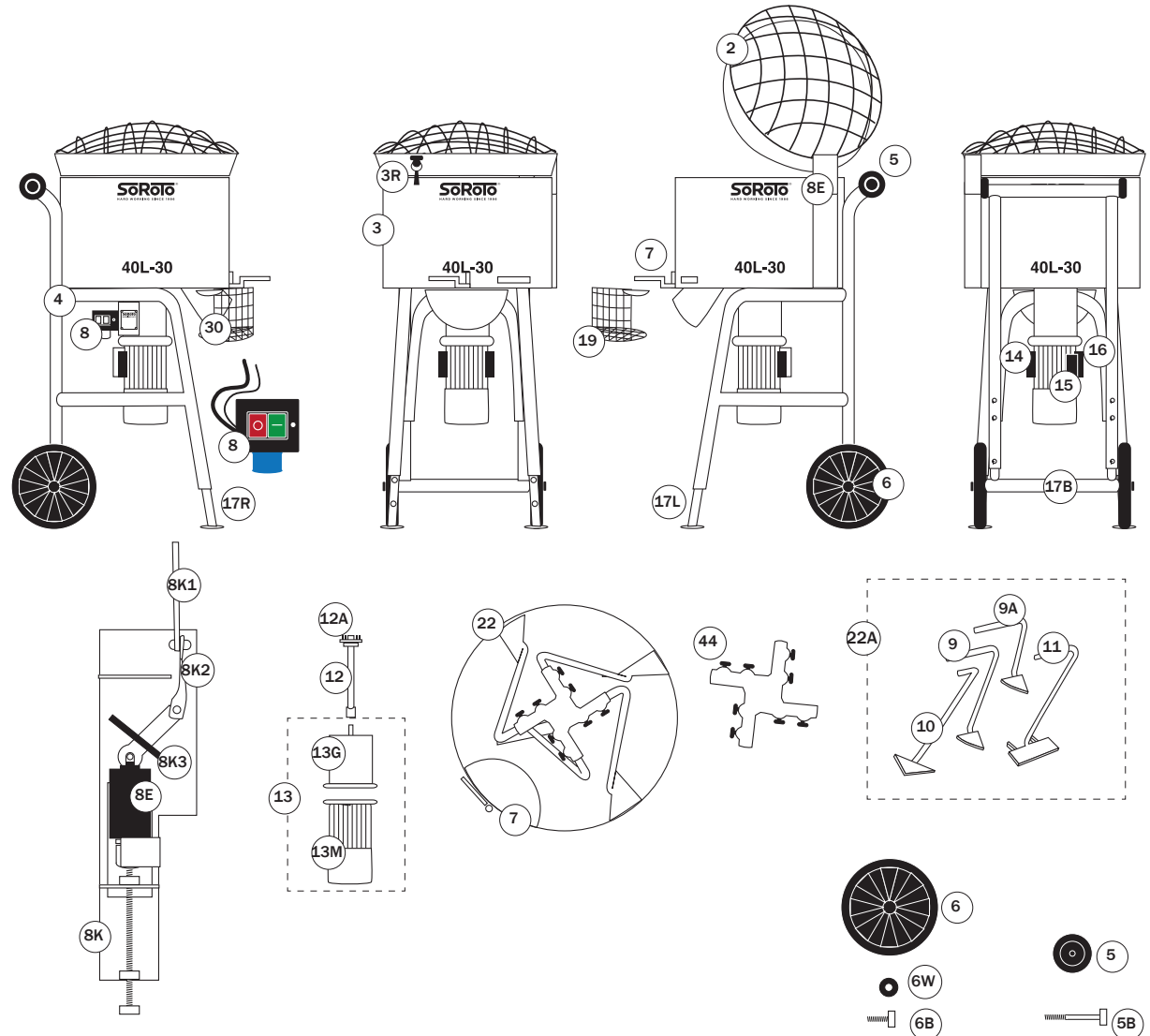


POS.NO.	DESCRIPTION	SPARE PART NO.
2	Grid lid (hinge 100 mm).....	40.002
3	Mixer drum incl. mixer gate, complete set.....	40.003
3 R	Rubber strap for grid lid.....	40.003R
4	Frame, complete w/wheels etc.....	40.004
4 A	Frame, "Body" — excl. wheels and telescopic legs.....	40.004B
5	Loading wheels (1 pc.), 80 mm, excl. bolt.....	40.005
5 B	Bolt (1 pc.) for 80 mm loading wheel.....	40.005B
6	Wheel (1 pc.), 200 mm, excl. bolt.....	40.006
6 B	Bolt (1 pc.) for 200 mm wheel.....	40.006B
6 W	Washer (1 pc.) for 200 mm wheel.....	40.006W
7	Mixer gate incl. bolt.....	40.007
8	Switch 9.5 Amp. w/thermal circuit breaker.....	40.008
8 E	Safety switch — by the grid lid.....	40.008E
8 K	Cassette for safety switch, complete.....	40.008K
8 K1	Piece for safety switch, bended metal part.....	40.008K1
8 K2	Piece for safety switch, twisted metal part.....	40.008K2
8 K3	Piece for safety switch, rubber part.....	40.008K3
9	Mixer arm (1 pc.), Side (long).....	40.009
9 A	Mixer arm (1 pc.), Side (short).....	40.009A
10	Mixer arm (1 pc.), Side-base.....	40.010
11	Mixer arm (1 pc.), Rake.....	40.011
12	Drive shaft, complete.....	40.012
12 A	Spring pins, complete set of 4 pcs. incl. a jig.....	40.012A
13	Gear motor 0.75 kW, 30 RPM, 230V.....	40.013
13 G	- Gear only.....	40.013G
13 M	- Motor only.....	40.013M
14	Starting capacitor 125 µF.....	40.014
15	Operating capacitor 25 µF.....	40.015
16	Phase capacitor 20 µF.....	40.016
17 B	Telescopic leg (1 pc.), rear.....	40.017B
17 L	Telescopic leg (1 pc.), front — left side.....	40.017L
17 R	Telescopic leg (1 pc.), front — right side.....	40.017R
17 SB	Bolt and nut (1 set) for telescopic leg (1 pc.).....	40.017SB
19	Safety grid — by the mixer gate.....	40.019
22	Mixer arms, 4 pcs., complete set.....	40.022
22 A	Mixer arms, 4 pcs., wo/cross joint.....	40.022A
30	Discharge chute (incl. nuts).....	40.030
44	Cross joint for mixer arms, steel.....	40.044

## SPARE PART LIST - 40L, 230V



GB-28.11.18

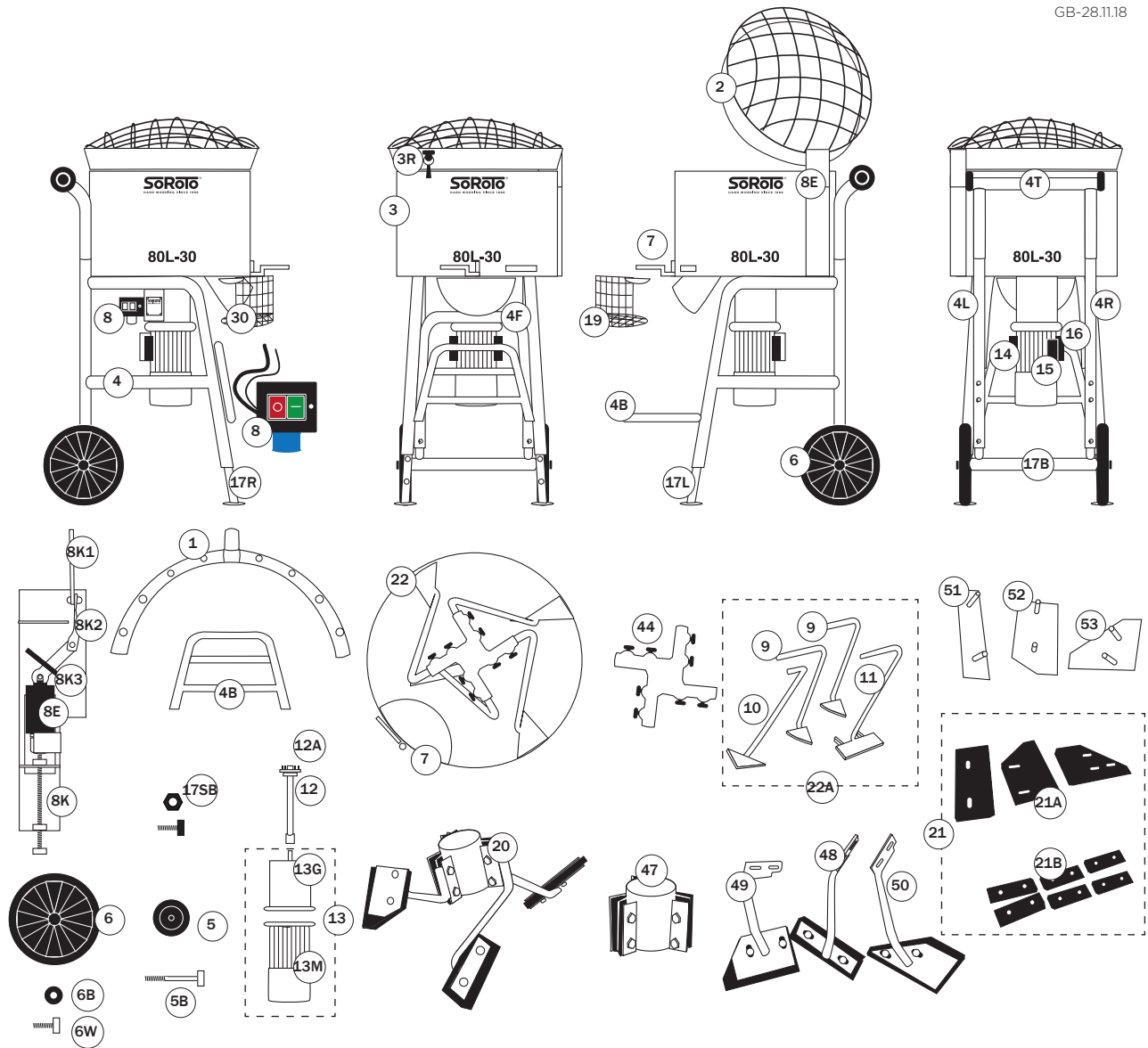


POS.NO.	DESCRIPTION	SPARE PART NO.
1 *	Dust Controller .....	80.001DL
2	Grid lid (hinge 100 mm).....	80.002
3	Mixer drum incl. mixer gate, complete.....	80.003
3 R	Rubber strap for grid lid .....	80.003R
4	Frame, complete w/wheels.....	80.004
4 B	Bucket stand.....	80.004B
4 F	Frame, front — u-shape.....	80.004F
4 L	Frame, front — left side.....	80.004L
4 R	Frame, front — right side.....	80.004R
4 T	Frame, top/rear .....	80.004T
5	Loading wheel (1 pc.), 80 mm, excl. bolt.....	80.005
5 B	Bolt (1 pc.) for 80 mm loading wheel.....	80.005B
6	Wheel (1 pc.), 300 mm, excl. bolt.....	80.006
6 B	Bolt (1 pc.) for 300 mm wheel.....	80.006B
6 W	Washer (1 pc.) for 300 mm wheel.....	80.006W
7	Mixer gate incl. bolt .....	80.007
8	Switch 9.5 Amp. w/thermal circuit breaker.....	80.008
8 E	Safety switch — by the grid lid.....	80.008E
8 K	Cassette for safety switch, complete.....	80.008K
8 K1	Piece for safety switch, bended metal part.....	80.008K1
8 K2	Piece for safety switch, twisted metal part.....	80.008K2
8 K3	Piece for safety switch, rubber part.....	80.008K3
9	Mixer arm (1 pc.), Side.....	80.009
10	Mixer arm (1 pc.), Side-base .....	80.010
11	Mixer arm (1 pc.), Rake .....	80.011
12	Drive shaft .....	80.012
12 A	Spring pins, complete set of 4 pcs. incl. a jig .....	80.012A
13	Gear motor 1,1 kW, 30 RPM, 240V .....	80.013
13 G	- Gear only.....	80.013G
13 M	- Motor only .....	80.013M
14	Starting capacitor 125 µF.....	80.014
15	Operating capacitor 40 µF.....	80.015
16	Phase capacitor 20 µF .....	80.016
17 B	Telescopic leg (1 pc.), rear.....	80.017B
17 L	Telescopic leg (1 pc.), front — left side.....	80.017L
17 R	Telescopic leg (1 pc.), front — right side.....	80.017R
17 SB	Bolt and nut (1 set) for telescopic leg (1 pc.) .....	80.017SB
19	Safety grid — by the mixer gate .....	80.019
20 *	Mixer arms w/rubber, 3 pcs., complete set.....	80.020
20 A*	Mixer arms w/rubber, 3 pcs., wo/cross joint.....	80.020A
48 *	Mixer arm w/rubber, Rake .....	80.048
49 *	Mixer arm w/rubber, Side-base .....	80.049
50 *	Mixer arm w/rubber, Side .....	80.050
21 *	Rubber (replacement set, complete).....	80.021
21 A*	Rubber (replacement set, blades only) .....	80.021A
21 B*	Rubber (replacement set, for cross joint only).....	80.021B
22	Mixer arms, 4 pcs., complete set .....	80.022
22 A	Mixer arms, 4 pcs., wo/cross joint.....	80.022A
30	Discharge chute (incl. nuts).....	80.030
44	Cross joint for mixer arms, steel .....	80.044
47 *	Cross joint for mixer arms, rubber.....	80.047
51 *	Bracket for mixer blade, rubber, Rake.....	80.051
52 *	Bracket for mixer blade, rubber, Side-base.....	80.052
53 *	Bracket for mixer blade, rubber, Side.....	80.053

# SPARE PART LIST - 80L, 240V



GB-28.11.18



Spare Part List for the 80 L mixers, 110V, is available online at [www.soroto.com](http://www.soroto.com)

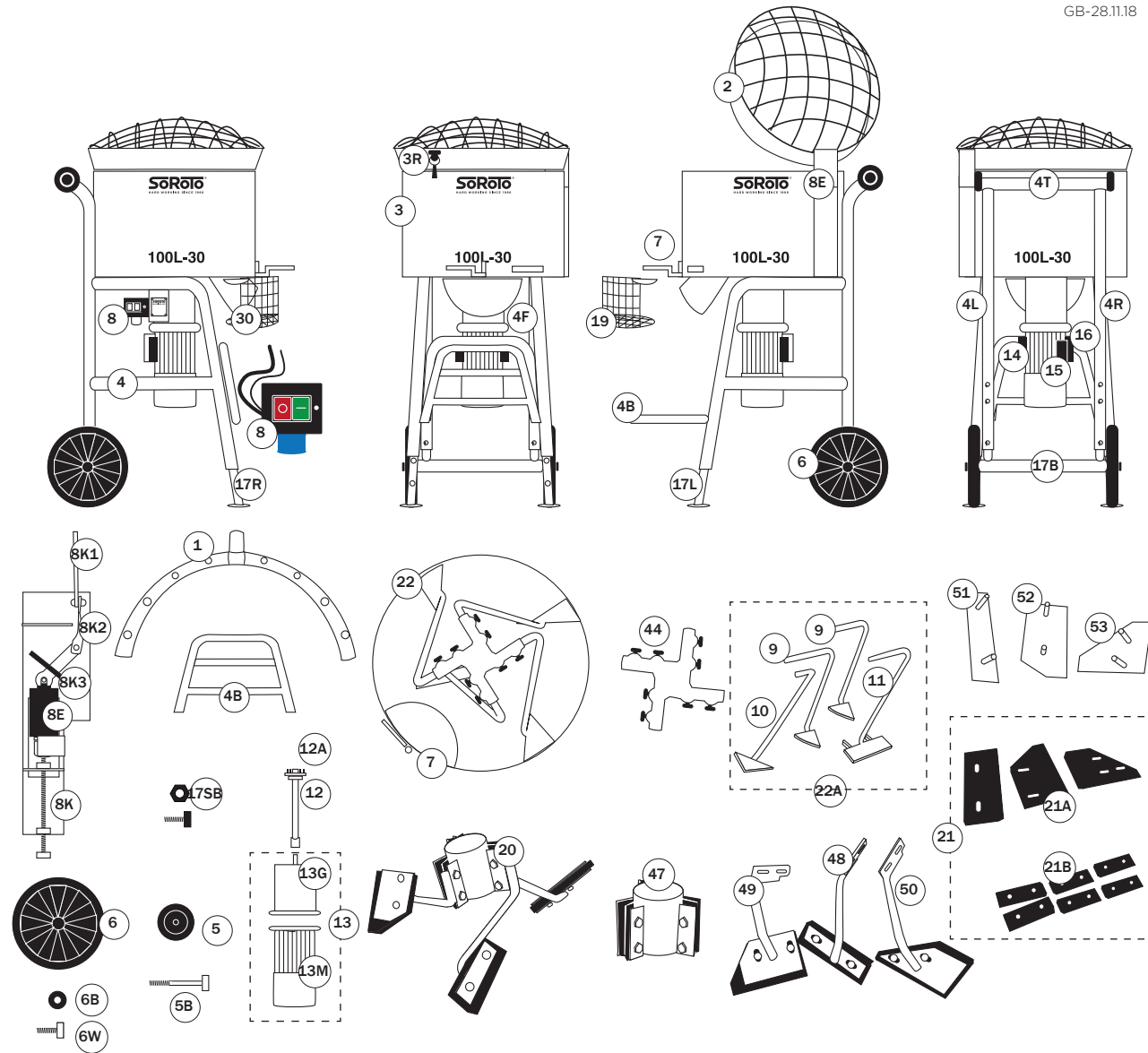
\* OPTIONAL / ADDITIONAL EQUIPMENT

POS.NO.	DESCRIPTION	SPARE PART NO.
1 *	Dust Controller .....	100.001DL
2	Grid lid (hinge 100 mm).....	100.002
3	Mixer drum incl. mixer gate, complete.....	100.003
3 R	Rubber strap for grid lid .....	100.003R
4	Frame, complete w/wheels.....	100.004
4 B	Bucket stand.....	100.004B
4 F	Frame, front — u-shape.....	100.004F
4 L	Frame, front — left side.....	100.004L
4 R	Frame, front — right side.....	100.004R
4 T	Frame, top/rear .....	100.004T
5	Loading wheel (1 pc.), 80 mm, excl. bolt.....	100.005
5 B	Bolt (1 pc.) for 80 mm loading wheel.....	100.005B
6	Wheel (1 pc.), 300 mm, excl. bolt.....	100.006
6 B	Bolt (1 pc.) for 300 mm wheel.....	100.006B
6 W	Washer (1 pc.) for 300 mm wheel.....	100.006W
7	Mixer gate incl. bolt .....	100.007
8	Switch 16 Amp. w/thermal circuit breaker.....	100.008
8 E	Safety switch — by the grid lid.....	100.008E
8 K	Cassette for safety switch, complete.....	100.008K
8 K1	Piece for safety switch, bended metal part.....	100.008K1
8 K2	Piece for safety switch, twisted metal part.....	100.008K2
8 K3	Piece for safety switch, rubber part.....	100.008K3
9	Mixer arm (1 pc.), Side.....	100.009
10	Mixer arm (1 pc.), Side-base .....	100.010
11	Mixer arm (1 pc.), Rake .....	100.011
12	Drive shaft .....	100.012
12 A	Spring pins, complete set of 4 pcs. incl. a jig .....	100.012A
13	Gear motor 1,1 kW, 30 RPM, 240V .....	100.013
13 G	- Gear only.....	100.013G
13 M	- Motor only .....	100.013M
14	Starting capacitor 125 µF.....	100.014
15	Operating capacitor 40 µF.....	100.015
16	Phase capacitor 20 µF .....	100.016
17 B	Telescopic leg (1 pc.), rear.....	100.017B
17 L	Telescopic leg (1 pc.), front — left side.....	100.017L
17 R	Telescopic leg (1 pc.), front — right side.....	100.017R
17 SB	Bolt and nut (1 set) for telescopic leg (1 pc.) .....	100.017SB
19	Safety grid — by the mixer gate .....	100.019
20 *	Mixer arms w/rubber, 3 pcs., complete set.....	100.020
20 A*	Mixer arms w/rubber, 3 pcs., wo/cross joint.....	100.020A
48 *	Mixer arm w/rubber, Rake .....	100.048
49 *	Mixer arm w/rubber, Side-base .....	100.049
50 *	Mixer arm w/rubber, Side .....	100.050
21 *	Rubber (replacement set, complete).....	100.021
21 A*	Rubber (replacement set, blades only) .....	100.021A
21 B*	Rubber (replacement set, for cross joint only).....	100.021B
22	Mixer arms, 4 pcs., complete set .....	100.022
22 A	Mixer arms, 4 pcs., wo/cross joint.....	100.022A
30	Discharge chute (incl. nuts).....	100.030
44	Cross joint for mixer arms, steel .....	100.044
47 *	Cross joint for mixer arms, rubber.....	100.047
51 *	Bracket for mixer blade, rubber, Rake.....	100.051
52 *	Bracket for mixer blade, rubber, Side-base.....	100.052
53 *	Bracket for mixer blade, rubber, Side.....	100.053

## SPARE PART LIST - 100L, 240V



GB-28.11.18



Spare Part List for the 100 L mixers, 110V, is available online at [www.soroto.com](http://www.soroto.com)

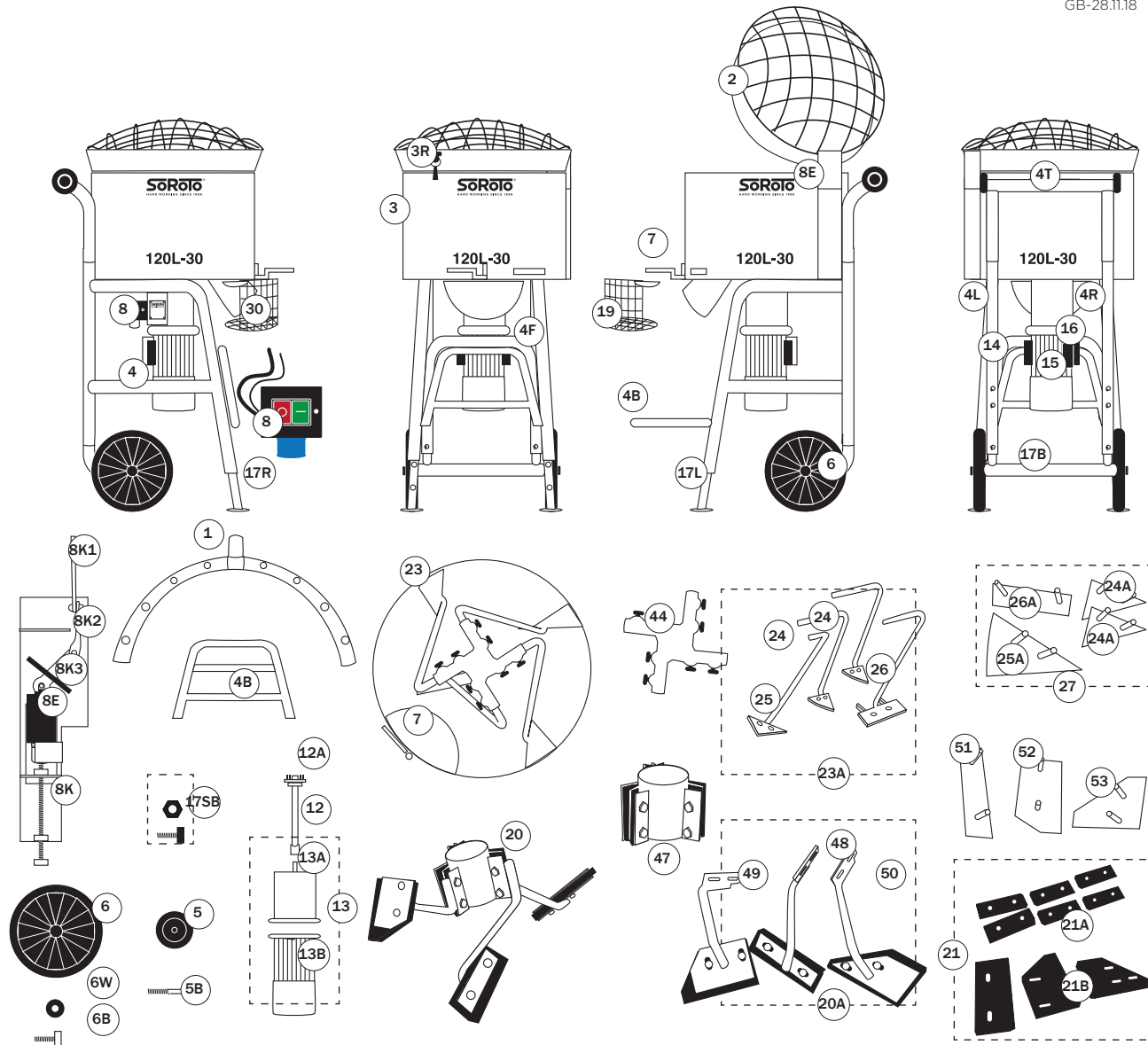


POS.NO.	DESCRIPTION	SPARE PART NO.
1 *	Dust Controller .....	120.001DL
2	Grid lid (hinge 100 mm).....	120.002
3	Mixer drum incl. mixer gate, complete.....	120.003
3 R	Rubber strap for grid lid.....	120.003R
4	Frame, complete w/wheels.....	120.004
4 B	Bucket stand.....	120.004B
4 F	Frame, front — u-shape.....	120.004F
4 L	Frame, front — left side.....	120.004L
4 R	Frame, front — right side.....	120.004R
4 T	Frame, top/rear.....	120.004T
5	Loading wheel (1 pc.), 80 mm, excl. bolt.....	120.005
5 B	Bolt (1 pc.) for 80 mm loading wheel.....	120.005A
6	Wheel (1 pc.), 300 mm, excl. bolt.....	120.006
6 B	Bolt (1 pc.) for 300 mm wheel.....	120.006B
6 W	Washer (1 pc.) for 300 mm wheel.....	120.006W
7	Mixer gate incl. bolt.....	120.007
8	Switch 9.5 Amp. w/thermal circuit breaker.....	120.008
8 E	Safety switch — by the grid lid.....	120.008E
8 K	Cassette for safety switch, complete.....	120.008K
8 K1	Piece for safety switch, bended metal part.....	120.008K1
8 K2	Piece for safety switch, twisted metal part.....	120.008K2
8 K3	Piece for safety switch, rubber part.....	120.008K3
12	Drive shaft.....	120.012
12 A	Spring pins, complete set of 4 pcs. incl. a jig.....	120.012A
13	Gear motor 1.1 kW, 30 RPM, 240V.....	120.013
13 G	- Gear only.....	120.013G
13 M	- Motor only.....	120.013M
14	Starting capacitor 125 µF.....	120.014
15	Operating capacitor 40 µF.....	120.015
16	Phase capacitor 20 µF.....	120.016
17 B	Telescopic leg (1 pc.), rear.....	120.017B
17 L	Telescopic leg (1 pc.), front — left side.....	120.017L
17 R	Telescopic leg (1 pc.), front — right side.....	120.017R
17 SB	Bolt and nut (1 set) for telescopic leg (1 pc.).....	120.017SB
19	Safety grid— by the mixer gate.....	120.019
20 *	Mixer arms w/rubber, 3 pcs. complete set.....	120.020
20 A*	Mixer arms w/rubber, 3 pcs., wo/cross joint.....	120.020A
21 *	Rubber (replacement set, complete).....	120.021
21 A*	Rubber (replacement set, blades only).....	120.021A
21 B*	Rubber (replacement set, for cross joint only).....	120.021B
23	Mixer arms, 4 pcs., complete set.....	120.023
23 A	Mixer arms, 4 pcs., wo/cross joint.....	120.023A
24	Mixer arm (1 pc.), Side.....	120.024
25	Mixer arm (1 pc.), Side-base.....	120.025
24 A	Mixer blade, steel, Side.....	120.024A
25 A	Mixer blade, steel, Side-base.....	120.025A
26 A	Mixer blade, steel, Rake.....	120.026A
27	Mixer blades, steel, complete set of 4 pcs.....	120.027
30	Discharge chute incl. nuts.....	120.030
44	Cross joint for mixer arms, steel.....	120.044
47 *	Cross joint for mixer arms, rubber.....	120.047
51 *	Bracket for mixer blade, Rubber, Rake.....	120.051
52 *	Bracket for mixer blade, Rubber, Side-base.....	120.052
53 *	Bracket for mixer blade, Rubber, Side.....	120.053

## SPARE PART LIST - 120L, 240V



GB-28.11.18



Spare Part List for the 120 L mixers, 110V, is available online at [www.soroto.com](http://www.soroto.com)

\*OPTIONAL / ADDITIONAL EQUIPMENT



## MANUAL APPLIES TO SoRoTo 200L, 300L

### APPLICATION

The SoRoTo Forced Action Mixers are ideal for mixing all kinds of materials used in the building industry, as well as mixing tasks where high demand are required.

200L + 300L mixers come with rubber blades as standard.

### BEFORE USE

Before starting the mixer, the telescopic legs must be adjusted to the right height for emptying into a bucket or wheelbarrow.

### APPLYING TO THE 200L MIXER

The easiest way for adjusting the legs, is to tip the mixer and make it rest on all four wheels. The legs are released and locked with the fitted lock splits/bolts.

### BEFORE CONNECTING TO POWER SUPPLY

Before the power is connected, the mixer arms must be set in place, and the lid must be closed. The safety grid in front of the mixer gate must be attached at all times.

For own safety always follow the instruction listed above before use.

### OPERATING THE SoRoTo FORCED ACTION MIXER

The motor protection unit in this mixer is equipped with a built-in reverse locking system called “a phase turner”. This prevents the motor from running in reverse. If the extension lead does not have a neutral (i.e. 4 core) cable the machine will not start.

Before you start mixing please do as follows:

- 1) Push the green START button
- 2) Notice if the mixer arms run clockwise
- 3) If the mixer arms run counter-clockwise, please adjust to clockwise direction by following these instructions:

### ADJUSTING THE PHASE TURNER

- It is essential the neutral wire is part of the cable (5 core) as well as the electric socket supplying power to the motor (i.e. wall socket, switchboard)
- The phases of the reverse locking system may be easily adjusted by inserting a flatheaded screwdriver into the slot on the red plug and turning 180 degrees\*

### NOTE

The mixer remains non-operational if the lid is open.

Close the lid and lock it into place using the rubber strap. Start the mixer by pressing the green START button on the protective motor switch. Pour the required material into the drum and add liquid.

The protective motor switch has a zero voltage releaser. In case of power failure, the mixer must be restarted. For safety reasons, the mixer will not start if the lid is open.

### NOTE

Never put your hand or any object into the machine when the power is connected.

When the material has reached the desired consistency and the mixing motion is finished, the mixer drum is emptied by opening the mixer gate. The drum should be emptied right after mixing. Please observe that the material may set in the mixer drum if left too long.

### NOTE

The safety grid should be in front of the output gate at all times. If the machine is jammed, e.g. by larger stones, ensure that the plug is disconnected from the protective motor switch, before removing the obstruction. Do not put your fingers or any object up through the mixer gate.

### CLEANING / MAINTENANCE

Before cleaning the mixer, the plug must be removed from the socket. Open the lid and lift the mixer arms off the axle. The mixer arms are easily removed without using tools. Firstly wash the mixer arms and the entire mixer drum using water.

**NOTE**

While the mixer arms are disconnected from the axle tower, make sure that neither water nor dust etc. enter the axle tower.

When cleaning has ended, place the mixer arms onto the axle and close the lid.

**TRANSPORT**

When transporting the SoRoTo 200L Forced Action Mixer it is recommended that the mixer is placed on the four wheels, the lid is closed and locked - using the rubber strap.

When transporting the SoRoTo 300L Forced Action Mixer with the ball coupling and traction bar, the traction bar is locked with 2 pin bolts. The traction bar can now be attached to a vehicle. The 300 L mixer may only be transported locally and at very low speed\*. During transport, the lid must be closed and locked using the rubber strap.

When transporting the SoRoTo 300L on a truck, the mixer may be lifted onto the truck with the help of e.g. a pallet truck. Please observe that the wheels must be removed or blocked during transportation, ensuring that the mixer is placed and stabilized on the legs in stead.

**OPTIONAL - 300 L**

Ball coupling for towing the mixer after a vehicle



**OPTIONAL - 300 L**

Turbo arm for masonry mortar without aggregates



**SAFETY**

When using an extension cable, please observe the following,

- Never use a longer cable than max. 10 m.
- Always use a cable with a minimum dimension of 1 mm<sup>2</sup>.
- Never use the cable when it is rolled up. Always roll it out completely.

When mixing materials that emit unpleasant or dangerous vapours and/or dust, a dust controller is recommended.

**TECHNICAL DATA**

**Model 200L/30**

Motor: 400V - 2.2 kW - 50 Hz  
W/L/H: 89\*104\*138 cm  
Mixing capacity: 200 litres  
Weight: 175 kg (empty).  
LAeq<75dB(A) with mortar.  
Prepared for mounting of dust controller

**Model 300L/30**

Motor: 400V - 3.0 kW - 50 Hz  
W/L/H: 100\*120\*140 cm  
Mixing capacity: 270 litres  
Weight: 281 kg (empty).  
LAeq<75dB(A) with mortar.  
Prepared for mounting of dust controller

**TECHNICAL SUPPORT / WAREHOUSE**

Fabriksparken 11  
DK-2600 Glostrup  
Tel. +45 3672 7800  
teknik@soroto.dk

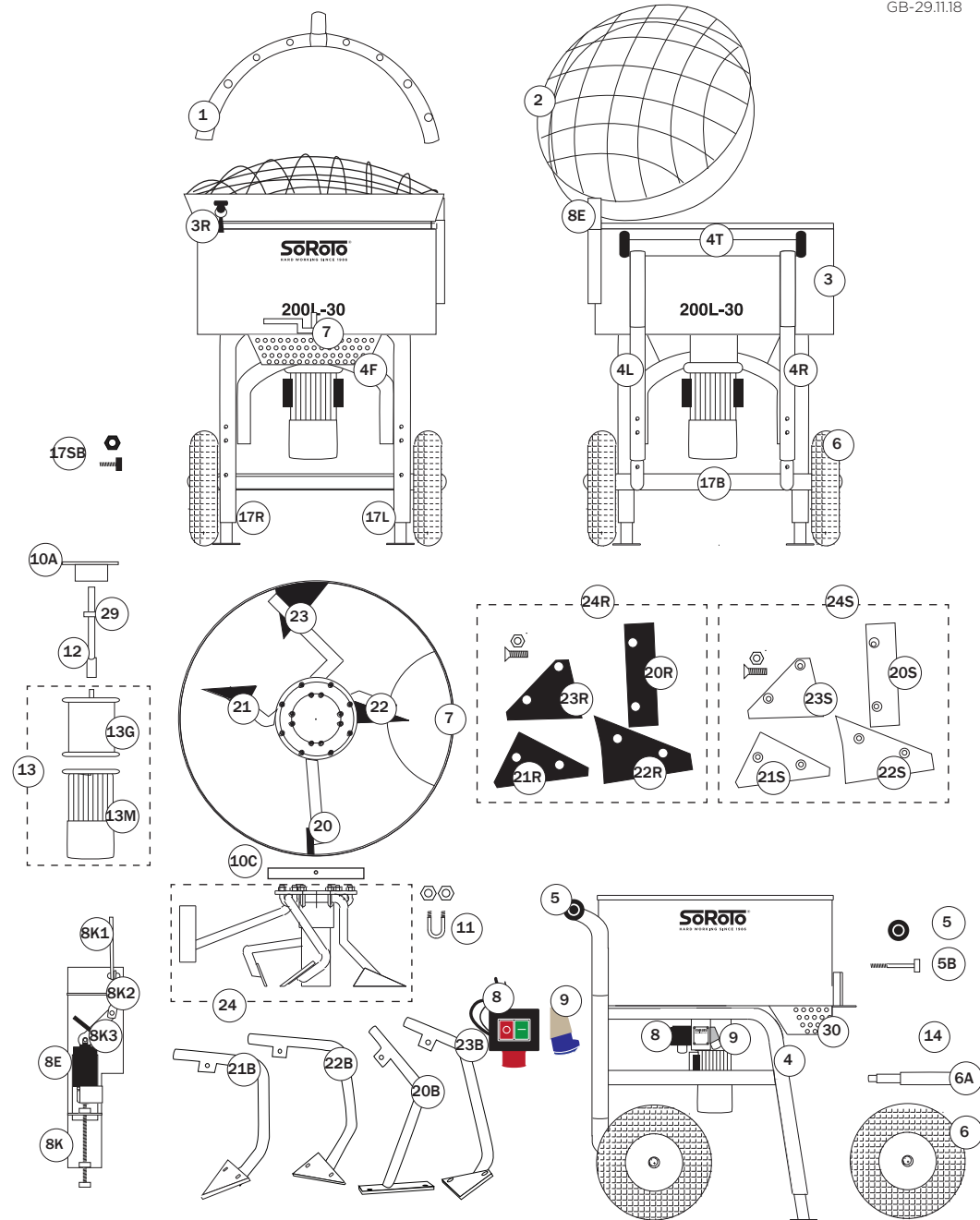
**SALES / ADMIN**

Fabriksparken 13  
DK-2600 Glostrup  
Tel. +45 3672 7500  
soroto@soroto.dk

\* Check your local traffic rules

# SPARE PART LIST - 200L, 400V

POS.NO.	DESCRIPTION	SPARE PART NO.
1 *	Dust Controller .....	200.001DL
2	Grid lid .....	200.002
3	Mixer drum incl. mixer gate, complete .....	200.003
3 R	Rubber strap for grid lid .....	200.003R
4	Frame, complete w/wheels .....	200.004
4 F	Frame, front — u-shape .....	200.004F
4 L	Frame, front — left side .....	200.004L
4 R	Frame, front — right side .....	200.004R
4 T	Frame, top/rear .....	200.004T
5	Loading wheel (1 pc.), 80 mm, excl. bolt .....	200.005
5 B	Bolt (1 pc.) for loading wheel .....	200.005B
6	Wheel (1 pc.), 400 mm .....	200.006
6 A	Axle (1 pc.) for 400 mm wheel .....	200.006A
7	Mixer gate incl. bolt .....	200.007
8	Switch 9.5 Amp. w/therm. circuit breaker, phase adjust. system .....	200.008
8 E	Safety switch — by the grid lid .....	200.008E
8 K	Cassette for safety switch, complete .....	200.008K
8 K1	Piece for safety switch, bended metal part .....	200.008K1
8 K2	Piece for safety switch, twisted metal part .....	200.008K2
8 K3	Piece for safety switch, rubber part .....	200.008K3
9	Outlet plug 1 x 230V, 16 amp .....	200.009
10 A	Top disc, separate (excl. U-bolts) .....	200.010A
10 C	Protective cover for top disc .....	200.010C
11	U-bolt incl. nut (1 pc.) for securing top disc (8 pcs. in total) .....	200.011
12	Drive shaft, complete .....	200.012
13	Gear motor 2.2 kW, 30 RPM, 400V .....	200.013
13 G	- Gear only .....	200.013G
13 M	- Motor only .....	200.013M
17 B	Telescopic leg (1 pc.), rear .....	200.017B
17 L	Telescopic leg (1 pc.), front — left side .....	200.017L
17 R	Telescopic leg (1 pc.), front — right side .....	200.017R
17 SB	Bolt and nut (1 set) for telescopic leg (1 pc.) .....	200.017SB
20	Mixer arm w/rubber blade, Side .....	200.020
21	Mixer arm w/rubber blade, Mid-base .....	200.021
22	Mixer arm w/rubber blade, Tower-base .....	200.022
23	Mixer arm w/rubber blade, Side-base .....	200.023
24	Mixer arms w/rubber blade, complete set incl. top disc .....	200.024
24 A	Mixer arms w/rubber blades, complete set excl. top disc .....	200.024A
20 B	Mixer arm wo/rubber blade, Side .....	200.020B
21 B	Mixer arm wo/rubber blade, Mid-base .....	200.021B
22 B	Mixer arm wo/rubber blade, Tower-base .....	200.022B
23 B	Mixer arm wo/rubber blade, Side-base .....	200.023B
24 B	Mixer arms wo/rubber blades, complete set excl. top disc .....	200.024B
20 R	Mixer blade, rubber, Side .....	200.020R
21 R	Mixer blade, rubber, Mid-base .....	200.021R
22 R	Mixer blade, rubber, Tower-base .....	200.022R
23 R	Mixer blade, rubber, Side-base .....	200.023R
24 R	Mixer blades, rubber, complete replacement set .....	200.024R
20 S*	Mixer blade, Hardox steel, Side .....	200.020S
21 S*	Mixer blade, Hardox steel, Mid-base .....	200.021S
22 S*	Mixer blade, Hardox steel, Tower-base .....	200.022S
23 S*	Mixer blade, Hardox steel, Side-base .....	200.023S
24 S*	Mixer blades, Hardox steel, complete replacement set .....	200.024S
29	Bearing for drive shaft .....	200.029
30	Discharge chute and safety grid — all in one .....	200.030

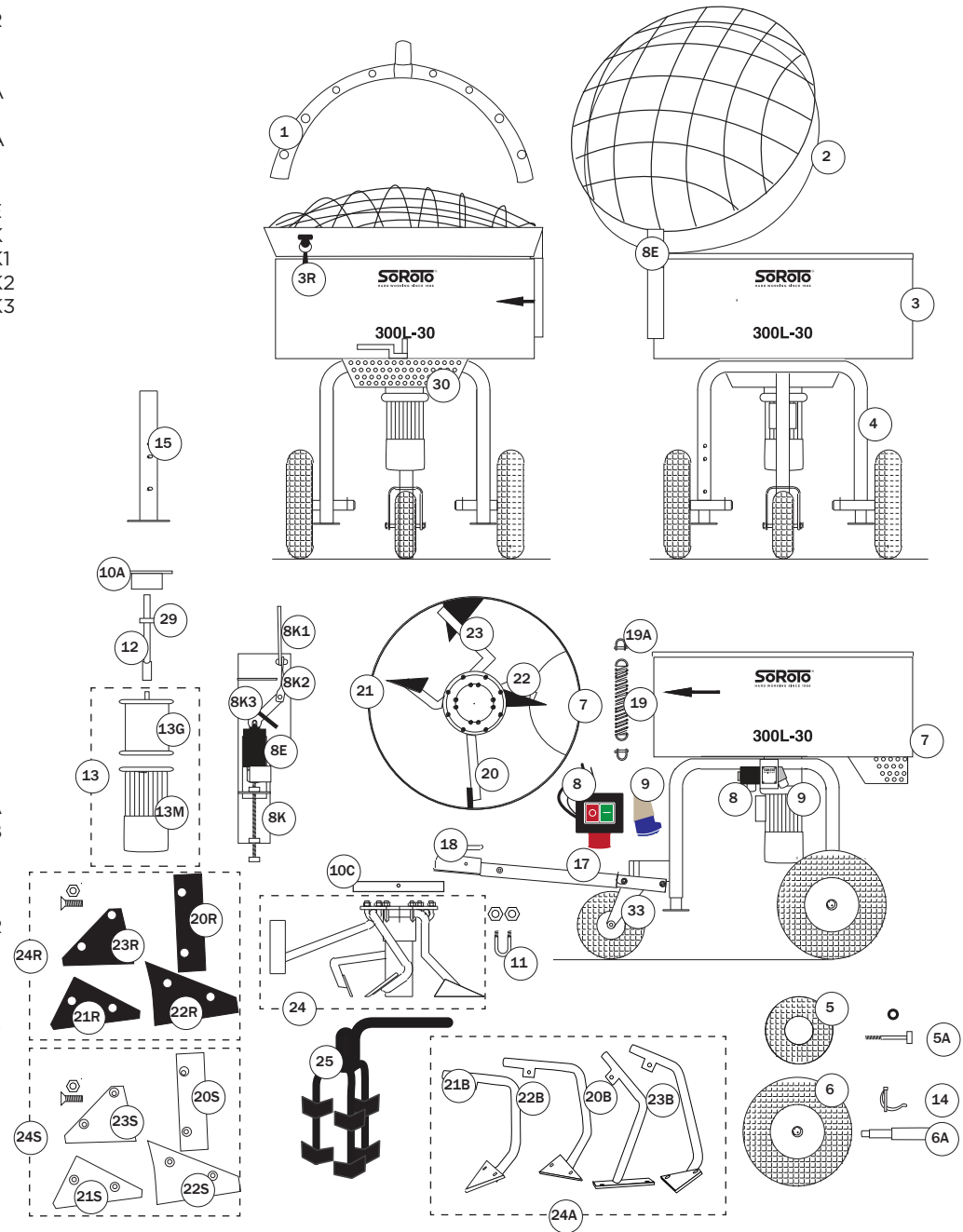


POS.NO.	DESCRIPTION	SPARE PART NO.
1 *	Dust Controller .....	300.001DL
2	Grid lid (hinge 100 mm).....	300.002
3	Mixer drum incl. mixer gate, complete.....	300.003
3 R	Rubber strap for grid lid .....	300.003R
4	Frame, complete incl. wheels.....	300.004
5	Wheel (1 pc.), 250 mm, excl. bolt .....	300.005
5 A	Bolt incl. nut, 10x120 mm, for 250 mm wheel.....	300.005A
6	Wheel (1 pc.), 400 mm, excl. bolt.....	300.006
6 A	Axle (1 pc.) for 400 mm wheel.....	300.006A
7	Mixer gate incl. bolt m.v.....	300.007
8	Switch 9,5 Amp. w/therm. circuit breaker, phase adjust. system .....	300.008
8 E	Safety switch — by the grid lid.....	300.008E
8 K	Cassette for safety switch, complete.....	300.008K
8 K1	Piece for safety switch, bended metal part.....	300.008K1
8 K2	Piece for safety switch, twisted metal part.....	300.008K2
8 K3	Piece for safety switch, rubber part .....	300.008K3
9	Outlet plug, 1 x 230V, 16 Amp.....	300.009
10 A	Top disc excl. U-bolts and nuts .....	300.010A
10 C	Protective cover for top disc.....	300.010C
11	U-bolt incl. nuts (1 pc.) for securing the top disc (8 pcs. in total).....	300.011
12	Drive shaft .....	300.012
13	Gear motor 3.0 kW, 30 RPM, 400V.....	300.013
13 G	- Gear only.....	300.013G
13 M	- Motor only .....	300.013M
14	Strips (1 pc.) for the axle and telescopic legs respectively, Ø55mm .....	300.014
15	Telescopic leg (1 pc.).....	300.015
17	Pole excl. globe coupling.....	300.017
17 A	Stud bolt for pole.....	300.017A
18 *	Globe coupling incl. bolt og møtrik.....	300.018
19	Spring grid lid (1 pc.).....	300.019
19 A	D-shackle bolt for spring (1 pc.).....	300.019A
20	Mixer arm w/rubber blade, Side.....	300.020
21	Mixer arm w/rubber blade, Mid-base.....	300.021
22	Mixer arm w/rubber blade, Tower-base .....	300.022
23	Mixer arm w/rubber blade, Side-base .....	300.023
24	Mixer arms w/rubber blade, complete set incl. top disc .....	300.024
24 A	Mixer arms w/rubber blade, complete set excl. top disc .....	300.024A
20 B	Mixer arm wo/rubber blade, Side.....	300.020B
21 B	Mixer arm wo/rubber blade, Mid-base.....	300.021B
22 B	Mixer arm wo/rubber blade, Tower-base .....	300.022B
23 B	Mixer arm wo/rubber blade, Side-base.....	300.023B
20 R	Mixer blade, rubber, Side .....	300.020R
21 R	Mixer blade, rubber, Mid-base.....	300.021R
22 R	Mixer blade, rubber, Tower-base.....	300.022R
23 R	Mixer blade, rubber, Side-base .....	300.023R
24 R	Mixer blades, rubber, complete replacement set .....	300.024R
20 S*	Mixer blade, Hardox steel, Side .....	300.020S
21 S*	Mixer blade, Hardox steel, Mid-base.....	300.021S
22 S*	Mixer blade, Hardox steel, Tower-base.....	300.022S
23 S*	Mixer blade, Hardox steel, Side-base .....	300.023S
24 S*	Mixer blades, Hardox steel, complete replacement set .....	300.024S
25 *	TURBO Mixer arm (for mixing builder's mortar) ** .....	300.025
29	Bearing for drive shaft.....	300.029
30	Discharge chute and safety grid — all in one .....	300.030
33	Swivel fork.....	300.033

## SPARE PART LIST - 300L, 400V



GB-29.11.18





# EU DECLARATION OF CONFORMITY

ANNEX II.A OF THE MACHINERY DIRECTIVE

Manufacturer: SoRoTo A/S

Address: Fabriksparken 11-13, 2600 Glostrup, DENMARK

Product: Forced Action Mixers

Model: 40L-30, 80L-30, 100L-30, 120L-30,  
200L-30 and 300L-30

Manufactured: From 2015 and onwards

We hereby declare that the **SoRoTo Forced Action Mixers** are manufactured in conformity with the stipulation contained in COUNCIL DIRECTIVE No. 2006/42/EC on the approximation of the laws of member states on machine, including subsequent modifications, with special regard to Annex I of the directive on important safety and health requirements in connection with the design and manufacture of machines.

Furthermore, we declare that the **SoRoTo Forced Action Mixers** are manufactured in conformity with the following harmonised standard,

EN 12151:2007

15.03.2017  
Glostrup, DENMARK

  
\_\_\_\_\_  
Hans Terney Rasmussen  
CEO