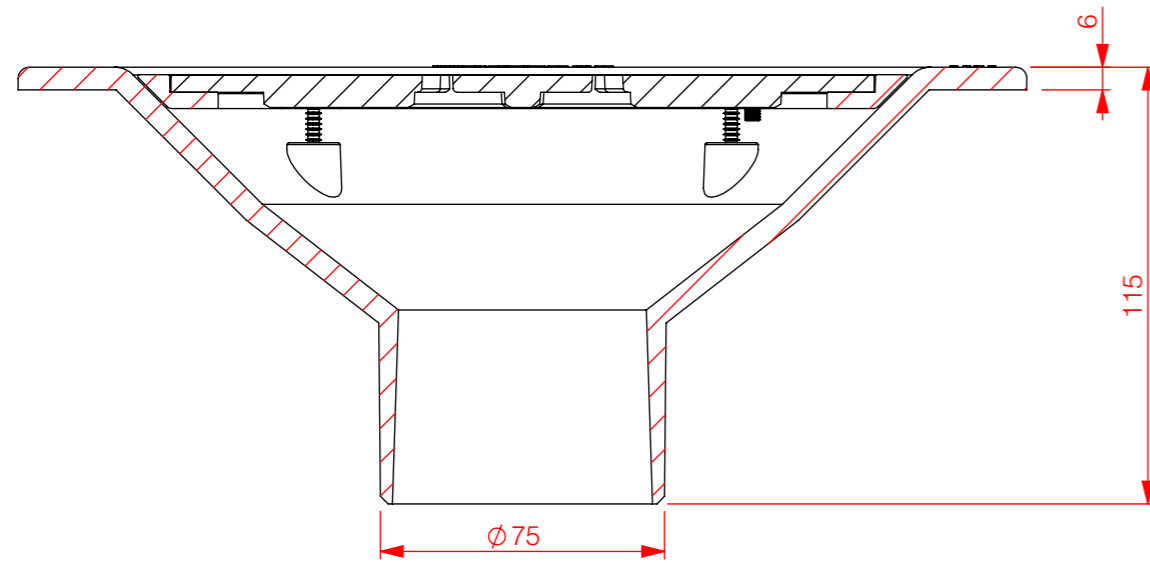
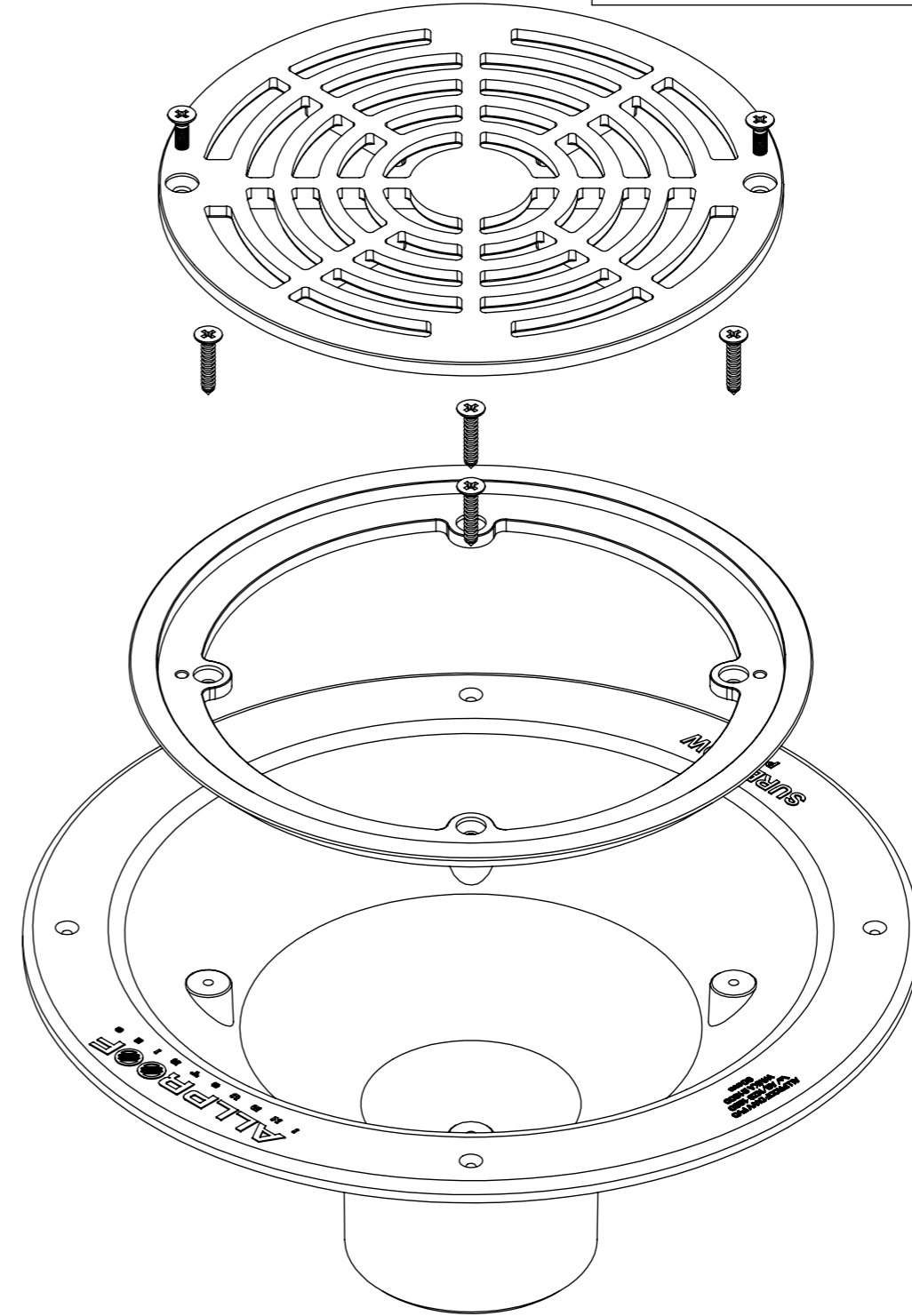
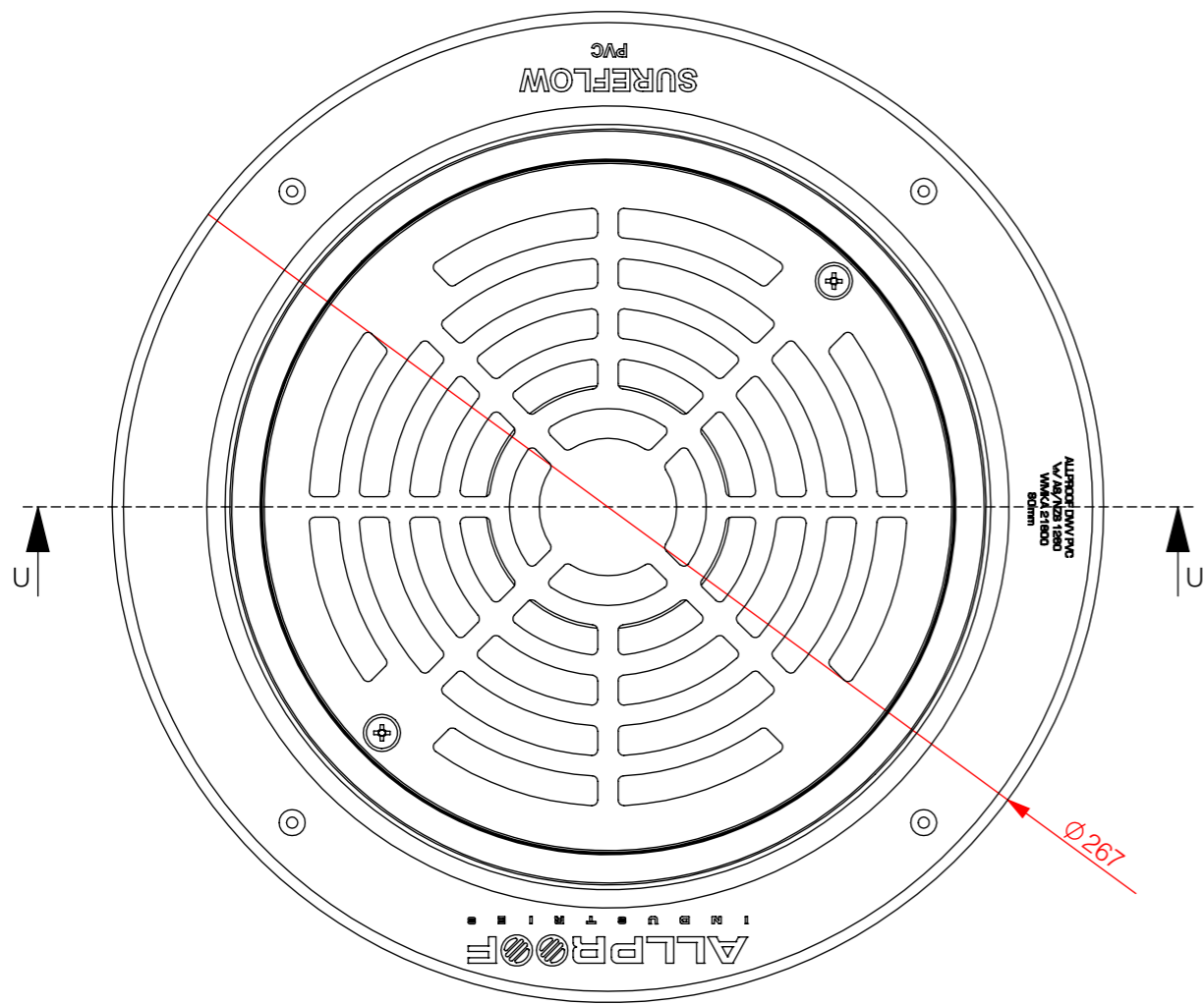


DESCRIPTION	
CODE	FINISH
SUREFLOW80 FLAT SS	316 STAINLESS STEEL



SECTION U-U

REVISION	CHANGE	DESCRIPTION	SL	DATE
XXX	XXX	XXX	SL	XXX
DO NOT SCALE DRAWING		TITLE		
REQUESTED	DATE	SUREFLOW 80 SS FLAT GRATE		
DRAWN	S.L.	DATE		
APPROVED	DATE	APPLICABLE STANDARD(S):		
MATERIAL		DRAWING REF NUMBER		
CAST SS		SUREFLOW80 SS FLAT		
A3	UNITS = MM	SCALE (UOS)	1:2	
		SHEET 5 OF 6		

DISCLAIMER: THE DESIGN SUGGESTION IS PROVIDED FOR EVALUATION PURPOSES ONLY.  
IT IS NOT TO BE CONSIDERED A FULL DESIGN AS WE ARE NOT THE CONSULTING ENGINEERS. WE ARE MANUFACTURERS. WE ARE NOT PRIVY TO ALL THE INFORMATION PERTAINING TO THIS MATTER AND WE HAVE NO CONTROL OVER THE PROJECT INSTALLATION OF THE PRODUCT. THE DESIGN SUGGESTION IS PROVIDED WITHOUT OBLIGATION. DESIGN IS TO BE CONFIRMED AND APPROVED BY THE ARCHITECT, HYDRAULICS ENGINEER, OR PROJECT MANAGER. ACCURATE MEASUREMENTS SHOULD BE CONFIRMED BY THE PERSON APPROVING THE DESIGN. ALLPROOF ACCEPTS NO LIABILITY FOR THE IMPROPER USE OF THE DESIGN SUGGESTION.

TOOL NUMBER	0.0
PART WEIGHT(GRAMS)	0.0
FILE	S:\CAD FILES\2019\DRAINAGE\C&F\SF VVNYL CLAMP SS