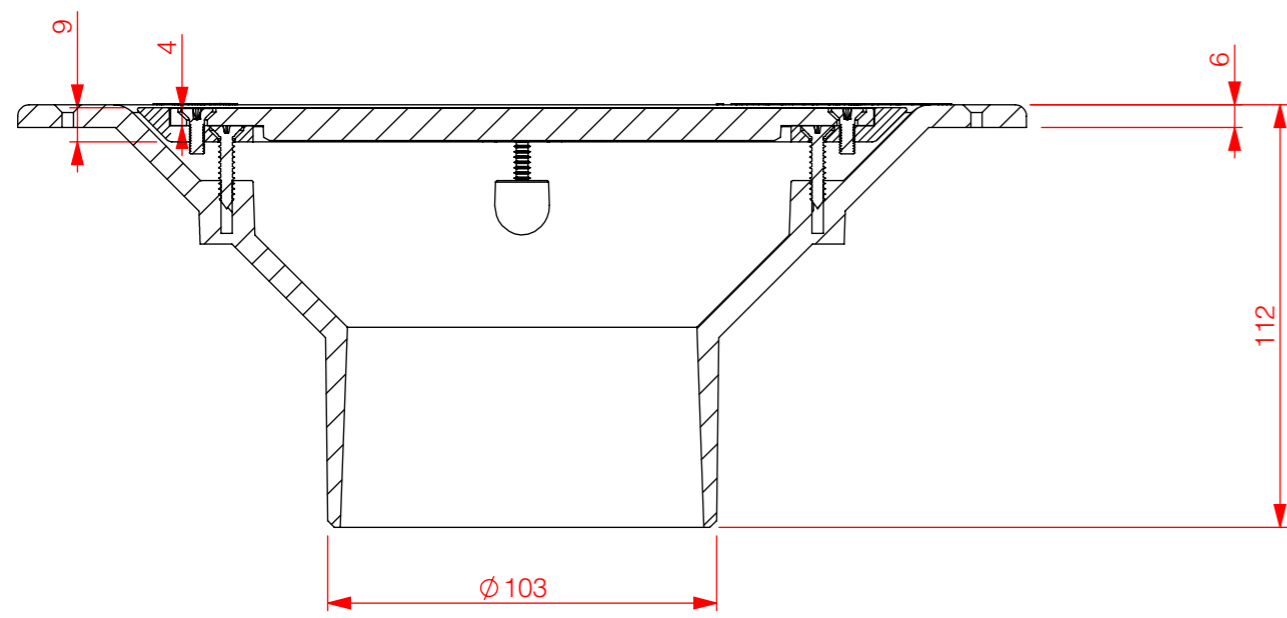
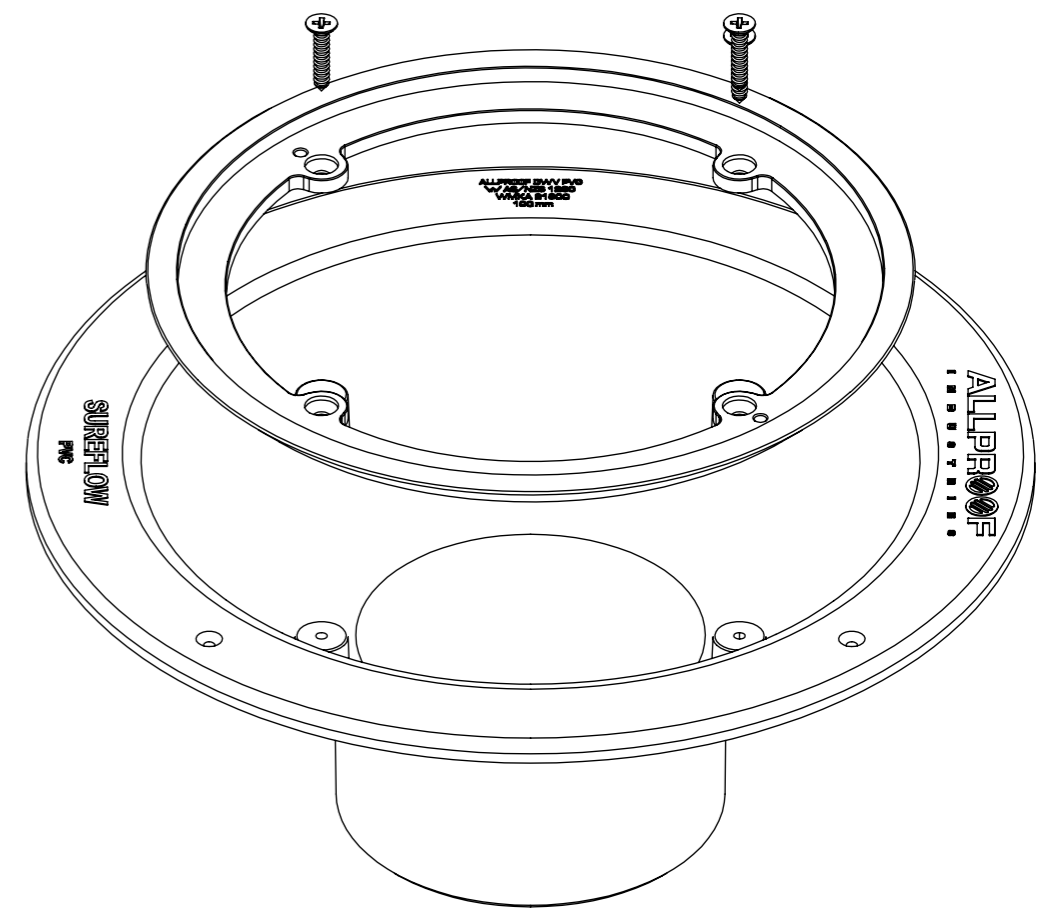
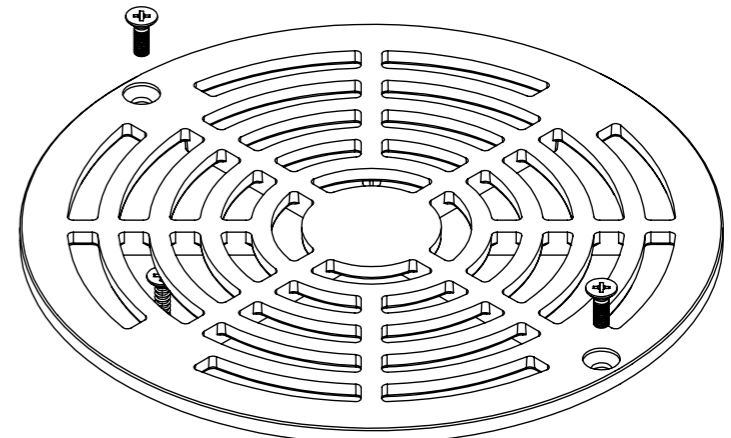
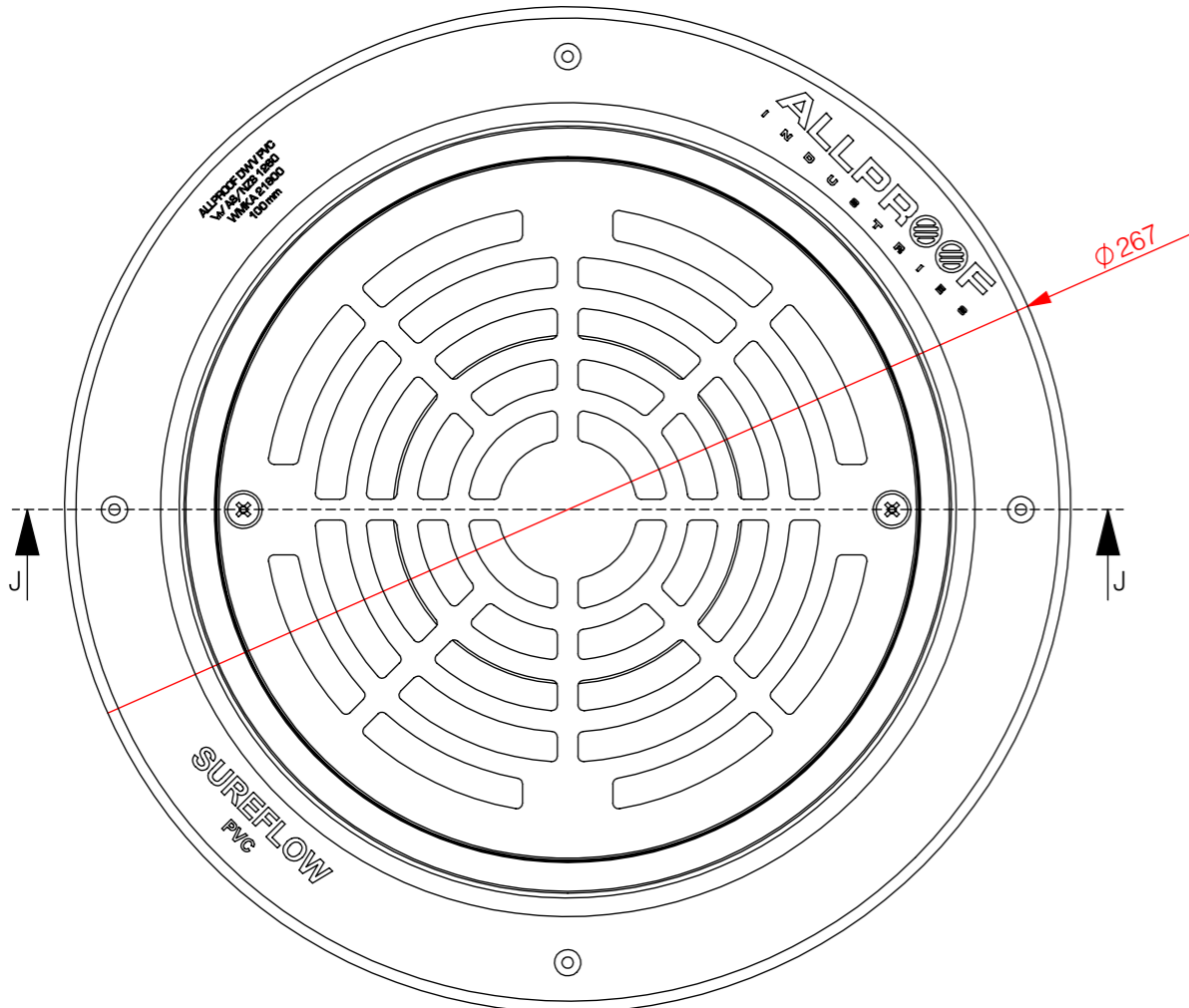


DESCRIPTION	
CODE	FINISH
SUREFLOW100 FLAT SS	316 STAINLESS STEEL



REVISION	CHANGE	DESCRIPTION	SL	DATE
XXX	XXX	XXX	SL	XXX

DO NOT SCALE DRAWING		TITLE	
REQUESTED	DATE	GENERAL ASSEMBLY: SUREFLOW 100 WITH SS FLAT GRATE AND CLAMP RING	
DRAWN	S.L.	DATE	
APPROVED		DATE	
MATERIAL		APPLICABLE STANDARD(S):	
CAST SS		DRAWING REF NUMBER	
		XXX	
A3	UNITS = MM	SCALE (UOS)	1 : 2
		SHEET 2 OF 5	

DISCLAIMER : THE DESIGN SUGGESTION IS PROVIDED FOR EVALUATION PURPOSES ONLY.
IT IS NOT TO BE CONSIDERED A FULL DESIGN AS WE ARE NOT THE CONSULTING ENGINEERS, WE ARE MANUFACTURERS, WE ARE NOT PRIVY TO ALL THE INFORMATION PERTAINING TO THIS MATTER AND WE HAVE NO CONTROL OVER THE PROJECT INSTALLATION OF THE PRODUCT. THE DESIGN SUGGESTION IS PROVIDED WITHOUT OBLIGATION. DESIGN IS TO BE CONFIRMED AND APPROVED BY THE ARCHITECT, HYDRAULICS ENGINEER, OR PROJECT MANAGER. ACCURATE MEASUREMENTS SHOULD BE CONFIRMED BY THE PERSON APPROVING THE DESIGN. ALLPROOF ACCEPTS NO LIABILITY FOR THE IMPROPER USE OF THE DESIGN SUGGESTION.

TOOL NUMBER	0.0
PART WEIGHT(GRAMS)	0.0
FILE	S:\CAD FILES\2019\DRAINAGE\C&F\SF VYNIL CLAMP SS